



Architectural Aluminium Systems.
"Committed to building excellence"



Ground Floor Treatments.

**Traditional Shopfront &
"Ultrawall" Thermally Enhanced
Framing Systems**

Scope

The NTS-100 shop front and “Ultra-wall” systems have been designed to suit all commercial applications. The systems can be either a traditional non-thermal (NTS-100) or a thermally enhanced (Ultra-wall) system. Both framing systems are available with standard slim 45mm sight lines. This makes the “Ultra-wall” the slimmest in its class compared to other thermally broken systems. It also offers superior energy efficiency compared to traditional GFT’s. Available in hinged anti-finger trap or pivoted, plus automatic swing or sliding doors. All doors are ideal for use in heavy traffic areas and fully compatible with Altec’s curtain walling systems. Designed to accommodate single and double glazed units up to 28mm depending on weight.

The system is designed for the widest variety of commercial applications and can be used for new buildings and refurbishments such as :

- shopping centres, supermarkets and retail shops
- entrance foyers and halls
- emergency exits
- hospitals, schools and leisure centres
- internal office partitioning/screening and walkways
- showrooms



Construction

The framing is cut at 90 degrees and fastened. This unique fixing method combined with square cut profiles, has the advantage of quick and easy construction. The system can be fabricated in modular frames for ease of installation. The door uses robust mechanical corner cleats at every joint creating a strong durable door.

Materials

All aluminium sections are extruded using either 6060 or 6063 alloys to T6 temper and conforms to BS EN 755 part 9 2008.

Enhanced thermal barriers are made to our patent pending design

EPDM gaskets are manufactured to BS4255.

Non-corrosive stainless steel fasteners to BS EN ISO 3506:2009 are used throughout fabrication.

Finishes

Available in mill finish.

Anodised finish to BS3897:1991 to 15 (AA15) or 25 microns (AA25). Available in a range of colours.

Polyester Powder Coating to BS EN 12206:2004 Part 1. PPC is available in a multitude of RAL colours in either matt, satin or gloss finishes. For marine environments a 60 micron thickness is available.





The system is designed to suit the demands of UK local authorities for commercial low rise screening applications.

Design Features

- Shuffle glazed system up to 28mm glazing.
- Doors suitable for heavy traffic applications, including a range of automatic swing and sliding, plus pivoted and anti-finger trap doors for hinged and emergency exit applications.
- Concealed overhead transom door closer's can be fitted in a range of strengths.
- Extensive range of door profiles, including stiles, mid rails, bottom rails and lay-bars.
- Low thresholds and AFT to comply with DDA and Document "M" legislation, to enable persons of reduced mobility to safely enter and exit a building.
- Extensive range of specialist commercial hardware is available including handles, electric strikers and automatic openers.
- Designed for the UK climate.
- Maximum door sizes 1100mm wide x 2400mm high or 100Kgs in weight per door leaf. (Please contact our Technical Department for oversized doors)

"Ultra-wall" Thermal Efficiency (U values)

Although every facade is different in size, glass and spacer specifications, typical U values of 1.4 W/m²K are achievable when using a typical standard double glazed unit with a Swiss spacer Ultimate combination.

The thermal transmission coefficients when calculated for insertion elements and windows (U_w) according to EN ISO 10077-1: 2006 or DIN V 4108-4: 06.2007 and for curtain walls (U_{cw}) in compliance with EN 13947: 2006).

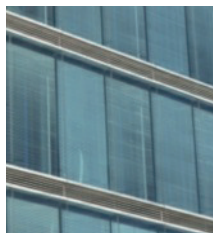
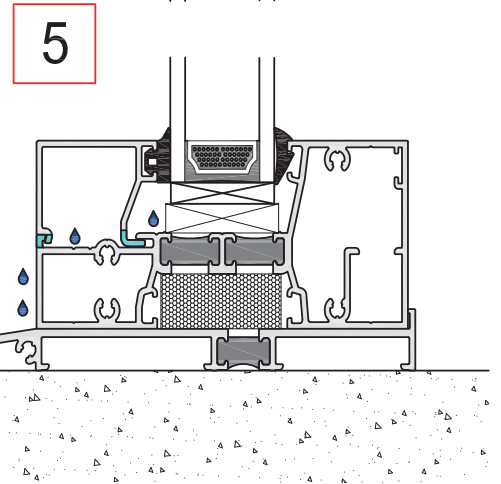
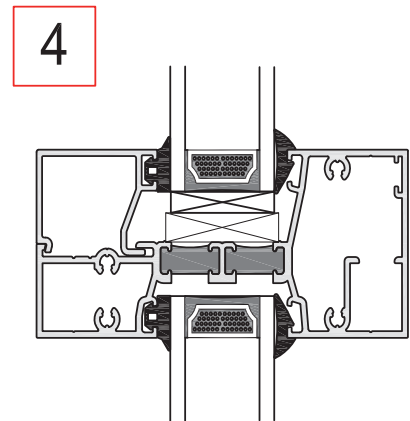
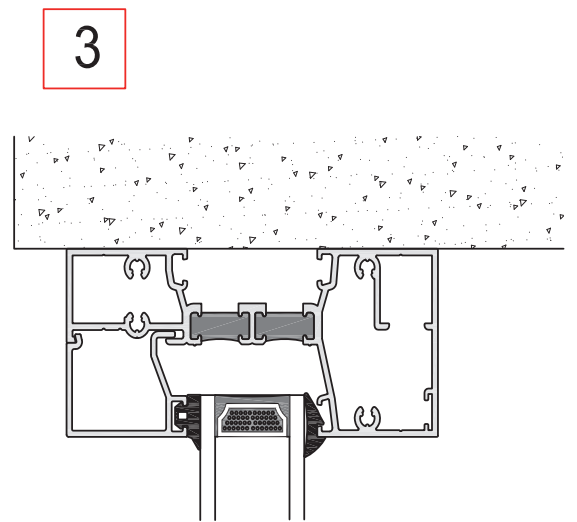
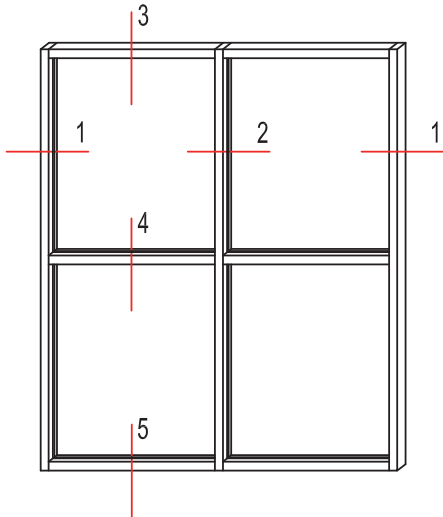
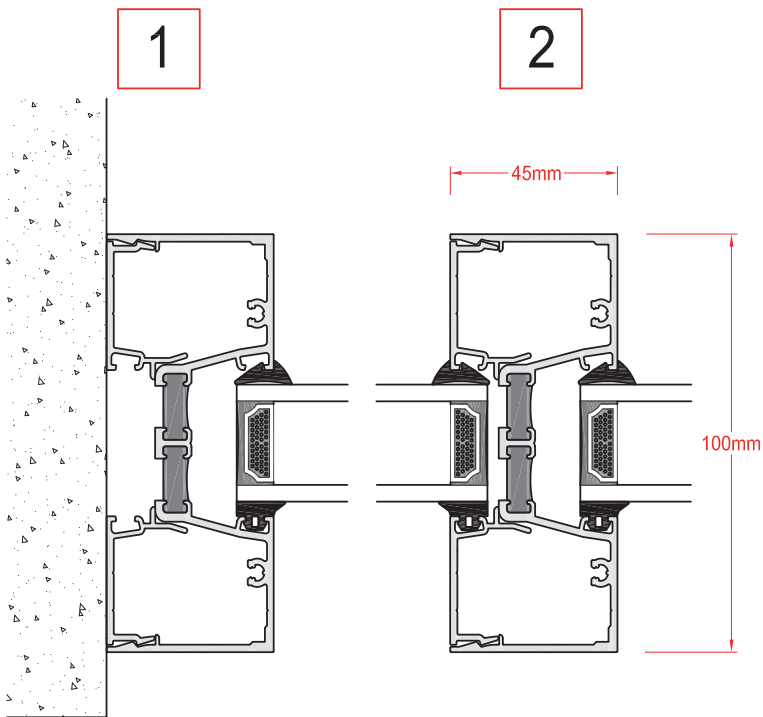


Architectural

CROSS SECTION DETAILS

MULLION DETAILS

TRANSOM DETAILS



Architectural

Altec 'Architectural Aluminium' Systems Ltd

Powys House, Bailey Court, Felinfach, Swansea West Business Park, Swansea, SA5 4DE.

Telephone: +44 (0) 1656 611010

sales@altecsystems.co.uk

www.altecsystems.co.uk